



AL-104

Specifications:

- Base is Die Casted From Aluminium Alloy
- Reflector & Top is Fabricated From Aluminium
- Electrostatically Polyester Powder Coated
- Acrylic Clear Diffuser
- Ceramic Lampholder (E27)
- Stainless Steel Screws
- Nylon Connecting Devices
- Pre-Looping With Textile Silicone Wire

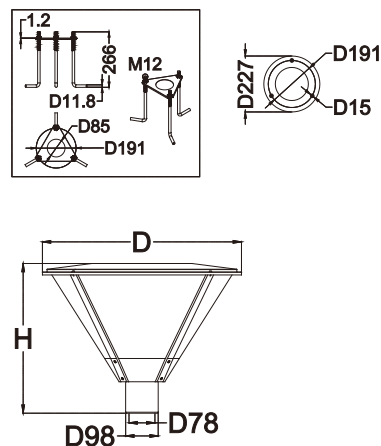
Available Colour:

- Matt Black or Matt White

Optional:

- Mild Steel Pole c/w Gear Chamber & Gold Rim (*Land Mounted*)
- Flanged J Type - 191

Dimension:



Model	Lamp		Recommended Magnetic Ballast				Acrylic Diffuser	Base	Dimension (mm)	
	Type	Power (W)	Brand	Code	Current (A)	PF.			D	H
AL-104	CFLi -U	1 x 23W	AC Input 220~240V, 50/60Hz				Clear	E27	600	450
	QMH / SON	1 x 70W	VITALITE	SMH 702	0.40	0.90				
	QMH / SON	1 x 150W	VITALITE	SMH 1502	0.67	0.90				