



Size XS

Size S

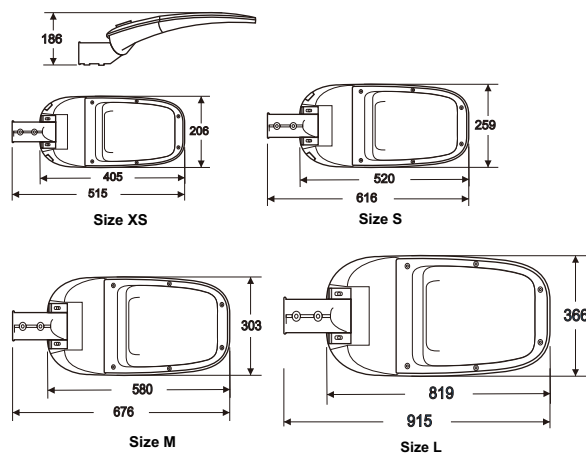
Size M

Size L

Product Specification

Type : SKSTF-22
 Module LED : SAKA LM G1 C 2X6 , SAKA LM G1 C 2X8 ,
 Driver : Inventronics , Moso , Meanwell
 Voltage : 220 - 240 V
 Life Time : 50.000 hours
 SPD : 10 kV
 Housing : Die-Cast Aluminium
 With Tempered Glass
 Ingress Protection : IP 66

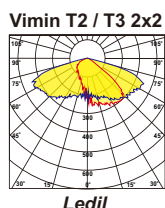
Dimension (mm)



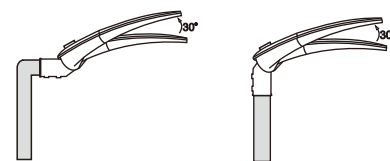
Accessories

Lens : - Ledil Vimin 2x2 T2 / T3
 for modul Saka LM G1 C 2x8 / 2x6

Light Distribution Curve



Beam Angle



Equipment

Modul	Watt		lm		lm/W		CCT
	Size	Xs2 / M4	Xs2 / M4	Xs2 / M4	Xs2 / M4		
SAKA LM G1 C 2 X 6	30	70	4.080	10.010	136	143	3.000 / 4.000 / 5.000 K
	40	80	5.200	11.280	130	141	3.000 / 4.000 / 5.000 K
	50	90	6.300	12.420	126	138	3.000 / 4.000 / 5.000 K
	60	100	7.380	13.600	123	136	3.000 / 4.000 / 5.000 K
	70	110	8.330	14.740	119	134	3.000 / 4.000 / 5.000 K
		120		15.840		132	

Modul	Watt					lm					lm/W					CCT
	Size	S2 / M3 / L4 / L5 / L6	S2 / M3 / L4 / L5 / L6	S2 / M3 / L4 / L5 / L6	S2 / M3 / L4 / L5 / L6	S2 / M3 / L4 / L5 / L6	S2 / M3 / L4 / L5 / L6	S2 / M3 / L4 / L5 / L6	S2 / M3 / L4 / L5 / L6	S2 / M3 / L4 / L5 / L6	S2 / M3 / L4 / L5 / L6	S2 / M3 / L4 / L5 / L6				
SAKA LM G1 C 2 X 8	30	70	100	100	100	4.320	10.640	14.300	16.700	17.000	144	152	143	167	170	3.000 / 4.000 / 5.000 K
	40	80	110	110	110	5.640	12.000	15.510	18.260	18.590	141	150	141	166	169	3.000 / 4.000 / 5.000 K
	50	90	120	120	120	6.850	13.230	16.800	19.680	20.040	137	147	140	164	167	3.000 / 4.000 / 5.000 K
	60	100	130	130	130	8.100	14.500	17.940	21.060	21.580	135	145	138	162	166	3.000 / 4.000 / 5.000 K
	70	110	140	140	140	9.170	15.730	19.040	22.400	22.960	131	143	136	160	164	3.000 / 4.000 / 5.000 K
		120	150	150	150		16.920	20.250	23.850	24.450		141	135	159	163	3.000 / 4.000 / 5.000 K
			160	160	160			21.440	25.120	25.760			134	157	161	3.000 / 4.000 / 5.000 K
			170	170	170			22.440	26.520	27.200			132	156	160	3.000 / 4.000 / 5.000 K
			180	180	180			23.400	27.720	28.620			130	154	159	3.000 / 4.000 / 5.000 K
			190	190	190			24.700	29.070	30.020			130	153	158	3.000 / 4.000 / 5.000 K
			200	200	200			25.600	30.400	31.200			128	152	156	3.000 / 4.000 / 5.000 K