



Size S

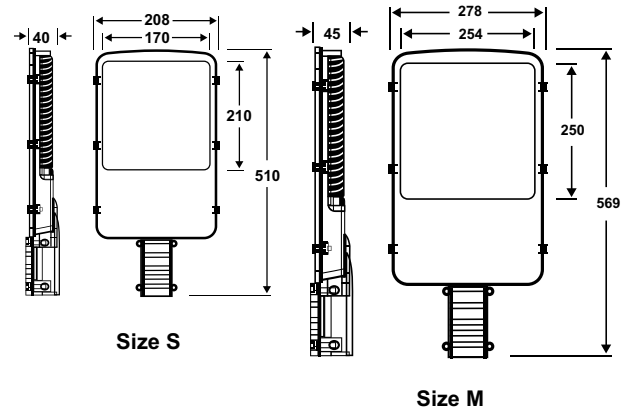


Size M

## Product Specification

Type	: FFGLF-10
Module LED	: SAKA LM G1 C 2x8 / FF 4x8 UP PR G5 / Fortimo Fast Flex LED Board 2X8
Driver	: Philips , Inventronics , Moso , Meanwell
Voltage	: 220 - 240 V
Life Time	: 50.000 hours
SPD	: 10 kV
Housing	: Die-Cast Aluminium With Tempered Glass
Ingress Protection	: IP 66

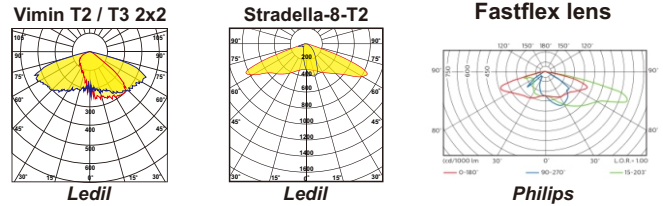
## Dimension (mm)



## Accessories

- Lens : - Ledil Vimin 2x2 T2 / T3  
for modul SAKA LM G1 C 2x8
- Ledil STRADELLA-8-T2  
for modul FF 4x8 UP PR G5
- Fast Flex lens 2x8/III-X Gen2  
for modul Fortimo Fast Flex Led Board 2x8

## Light Distribution Curve



## Equipment

Modul	Watt				lm				lm/W				CCT
	Size	S1	S2	M3 / M4	S1	S2	M3	M4	S1	S2	M3	M4	
SAKA LM G1 C 2X8	20	40	60	100	2.820	5.640	9.240	14.300	141	141	154	143	3.000 / 4.000 / 5.000 K
	30	50	70	110	4.050	6.850	10.640	15.510	135	137	152	141	3.000 / 4.000 / 5.000 K
	40	60	80	120	5.240	8.100	12.000	16.800	131	135	150	140	3.000 / 4.000 / 5.000 K
			90	130			13.230	17.940			147	138	3.000 / 4.000 / 5.000 K
			100	140			14.500	19.040			145	136	3.000 / 4.000 / 5.000 K
				150				20.250				135	3.000 / 4.000 / 5.000 K

Modul	Watt				lm				lm/W				CCT
	Size	S1	S2	M3 / M4	S1	S2	M3	M4	S1	S2	M3	M4	
FF 4x8 UP PR G5	20	30	50	60	2.800	4.440	7.500	9.060	140	148	150	151	5.700 K
	30	40	60	70	3.990	5.760	8.820	10.430	133	144	147	149	5.700 K
	40	50	70	80	5.080	7.000	10.080	11.760	127	140	144	147	5.700 K
		60	80	90		8.220	11.280	13.050		137	141	145	5.700 K
			90	100			12.510	14.300		139	143		5.700 K
			100	110			13.700	15.510		137	141		5.700 K
				120				16.680			139		5.700 K
				130				17.810			137		5.700 K
				140				19.040			136		5.700 K
				150				20.100			134		5.700 K

Modul	Watt				lm				lm/W				CCT
	Size	S1	S2	M3 / M4	S1	S2	M3	M4	S1	S2	M3	M4	
Fortimo Fast Flex Led Board 2x8 G4	60	72	105	138	5.820	7.776	12.390	15.456	97	108	118	112	5.700 K